



RADIAL TYPE CHOKE INDUCTOR CKPK Series

工字电感 CKPK 系列

● FEATURES 特性

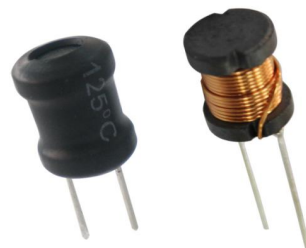
Contain high - frequency ferrite, comparatively large rated current

高频铁氧体材料，大额定电流

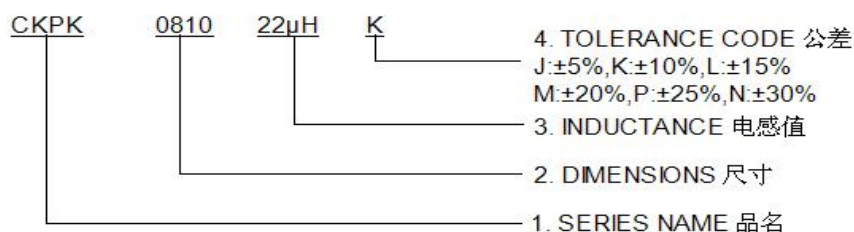
● APPLICATIONS 用途

Power supplies, DC-DC converters, TVs, VTRs, Computers; computer Peripherals, Home Electric Appliance, Electronic toys and games.

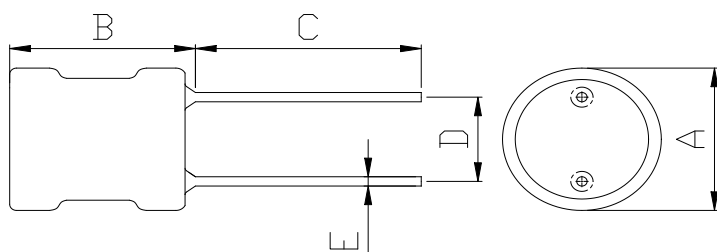
用于电源,DC-DC转换器,电视机,录相机,计算机,计算机周边设备,家用电器,电动玩具等。



● PART NUMBERING SYSTEM 品名系统



● SHAPES AND DIMENSIONS 外形尺寸 (Unit:mm)



TYPE(型号)	A	B	C	D	E
CKPK0406	6.0Max	9.0Max	15±2.0	2.0±0.5	0.48±0.1
CKPK0507	6.5Max	9.5Max	15±2.0	2.5±0.5	0.6±0.1
CKPK0608	8.0Max	11.0Max	15±2.0	3.0±0.5	0.6±0.1
CKPK0707	9.0Max	10.0Max	15±2.0	5.0±0.5	0.6±0.1
CKPK0810	11.0Max	13.0Max	15±2.0	5.0±0.5	0.6±0.1
CKPK0912	12.0Max	15.0Max	15±2.0	5.0±0.5	0.8±0.1
CKPK1012	13.0Max	16.0Max	15±2.0	6.0±0.5	0.8±0.1
CKPK1016	13.0Max	20.0Max	15±2.0	6.0±0.5	0.8±0.1
CKPK1216	15.0Max	20.0Max	15±2.0	7.5±1.0	0.8±0.1

● Remarks 备注

(1) All test data is reference to 25°C ambient.

(2) IDC: DC current at which the inductance drops approximate 10% or 20% from its value without current;

(3) Operating Temperature : -25°C ~ +85°C(Including self - temperature rise)



● SPECIFICATION TABLE 规格特性表

CKPK0406

PART NUMBER 品名	INDUCTANCE (μ H) 电感值	DCR (Max.) (Ω) 直流电阻	IDC (Max.) (A) 额定电流	TEST FREQUENCY 测试频率
CKPK0406-4.7uH/M	4.7 \pm 20%	0.11	1.50	100kHz, 0.25V
CKPK0406-6.8uH/M	6.8 \pm 20%	0.13	1.00	100kHz, 0.25V
CKPK0406-10uH/K	10 \pm 10%	0.15	0.70	1kHz, 0.25V
CKPK0406-15uH/K	15 \pm 10%	0.2	0.65	1kHz, 0.25V
CKPK0406-18uH/K	18 \pm 10%	0.24	0.63	1kHz, 0.25V
CKPK0406-22uH/K	22 \pm 10%	0.26	0.60	1kHz, 0.25V
CKPK0406-27uH/K	27 \pm 10%	0.3	0.56	1kHz, 0.25V
CKPK0406-33uH/K	33 \pm 10%	0.4	0.55	1kHz, 0.25V
CKPK0406-39uH/K	39 \pm 10%	0.5	0.52	1kHz, 0.25V
CKPK0406-47uH/K	47 \pm 10%	0.6	0.51	1kHz, 0.25V
CKPK0406-56uH/K	56 \pm 10%	0.7	0.50	1kHz, 0.25V
CKPK0406-68uH/K	68 \pm 10%	1.0	0.48	1kHz, 0.25V
CKPK0406-82uH/K	82 \pm 10%	1.2	0.47	1kHz, 0.25V
CKPK0406-100uH/K	100 \pm 10%	1.4	0.45	1kHz, 0.25V
CKPK0406-120uH/K	120 \pm 10%	1.5	0.40	1kHz, 0.25V
CKPK0406-150uH/K	150 \pm 10%	1.6	0.35	1kHz, 0.25V
CKPK0406-180uH/K	180 \pm 10%	1.8	0.30	1kHz, 0.25V
CKPK0406-220uH/K	220 \pm 10%	2.0	0.24	1kHz, 0.25V
CKPK0406-270uH/K	270 \pm 10%	2.5	0.22	1kHz, 0.25V
CKPK0406-330uH/K	330 \pm 10%	3.0	0.20	1kHz, 0.25V
CKPK0406-390uH/K	390 \pm 10%	3.3	0.18	1kHz, 0.25V
CKPK0406-470uH/K	470 \pm 10%	3.5	0.17	1kHz, 0.25V
CKPK0406-560uH/K	560 \pm 10%	4.0	0.16	1kHz, 0.25V
CKPK0406-680uH/K	680 \pm 10%	6.0	0.15	1kHz, 0.25V
CKPK0406-820uH/K	820 \pm 10%	7.0	0.12	1kHz, 0.25V
CKPK0406-1mH/K	1000 \pm 10%	9.0	0.10	1kHz, 0.25V
CKPK0406-1.2mH/K	1200 \pm 10%	12.0	0.09	1kHz, 0.25V
CKPK0406-1.5mH/K	1500 \pm 10%	15.0	0.08	1kHz, 0.25V
CKPK0406-1.8mH/K	1800 \pm 10%	17.0	0.07	1kHz, 0.25V
CKPK0406-2.2mH/K	2200 \pm 10%	22.0	0.065	1kHz, 0.25V
CKPK0406-2.7mH/K	2700 \pm 10%	30.0	0.06	1kHz, 0.25V
CKPK0406-3.3mH/K	3300 \pm 10%	33.0	0.055	1kHz, 0.25V



CKPK0507

PART NUMBER 品名	INDUCTANCE (μ H) 电感值	DCR (Max.) (Ω) 直流电阻	IDC (Max.) (A) 额定电流	TEST FREQUENCY 测试频率
CKPK0507-4.7uH/M	4.7 \pm 20%	0.05	2.0	100kHz,0.25V
CKPK0507-6.8uH/M	6.8 \pm 20%	0.06	1.8	100kHz,0.25V
CKPK0507-10uH/K	10 \pm 10%	0.08	1.6	1kHz,0.25V
CKPK0507-15uH/K	15 \pm 10%	0.14	1.4	1kHz,0.25V
CKPK0507-22uH/K	22 \pm 10%	0.16	1.0	1kHz,0.25V
CKPK0507-33uH/K	33 \pm 10%	0.3	0.8	1kHz,0.25V
CKPK0507-47uH/K	47 \pm 10%	0.45	0.7	1kHz,0.25V
CKPK0507-68uH/K	68 \pm 10%	0.55	0.6	1kHz,0.25V
CKPK0507-82uH/K	82 \pm 10%	0.6	0.55	1kHz,0.25V
CKPK0507-100uH/K	100 \pm 10%	0.8	0.5	1kHz,0.25V
CKPK0507-120uH/K	120 \pm 10%	1.0	0.48	1kHz,0.25V
CKPK0507-150uH/K	150 \pm 10%	1.5	0.45	1kHz,0.25V
CKPK0507-180uH/K	180 \pm 10%	1.8	0.42	1kHz,0.25V
CKPK0507-220uH/K	220 \pm 10%	2.0	0.4	1kHz,0.25V
CKPK0507-330uH/K	330 \pm 10%	2.6	0.3	1kHz,0.25V
CKPK0507-390uH/K	390 \pm 10%	2.8	0.28	1kHz,0.25V
CKPK0507-470uH/K	470 \pm 10%	3.0	0.25	1kHz,0.25V
CKPK0507-560uH/K	560 \pm 10%	3.5	0.24	1kHz,0.25V
CKPK0507-680uH/K	680 \pm 10%	4.5	0.23	1kHz,0.25V
CKPK0507-820uH/K	820 \pm 10%	5.0	0.2	1kHz,0.25V
CKPK0507-1mH/K	1000 \pm 10%	6.0	0.18	1kHz,0.25V
CKPK0507-1.2mH/K	1200 \pm 10%	8.0	0.16	1kHz,0.25V
CKPK0507-1.5mH/K	1500 \pm 10%	9.0	0.15	1kHz,0.25V
CKPK0507-1.8mH/K	1800 \pm 10%	10.0	0.14	1kHz,0.25V
CKPK0507-2.2mH/K	2200 \pm 10%	12.0	0.1	1kHz,0.25V
CKPK0507-2.7mH/K	2700 \pm 10%	16.0	0.09	1kHz,0.25V
CKPK0507-3.3mH/K	3300 \pm 10%	20.0	0.08	1kHz,0.25V
CKPK0507-3.9mH/K	3900 \pm 10%	26.0	0.07	1kHz,0.25V
CKPK0507-4.7mH/K	4700 \pm 10%	30.0	0.06	1kHz,0.25V
CKPK0507-5.6mH/K	5600 \pm 10%	32.0	0.055	1kHz,0.25V
CKPK0507-6.8mH/K	6800 \pm 10%	36.0	0.05	1kHz,0.25V
CKPK0507-8.2mH/K	8200 \pm 10%	40.0	0.045	1kHz,0.25V
CKPK0507-10mH/K	10000 \pm 10%	60.0	0.04	1kHz,0.25V



CKPK0608

PART NUMBER 品名	INDUCTANCE (μ H) 电感值	DCR (Max.) (Ω) 直流电阻	IDC (Max.) (A) 额定电流	TEST FREQUENCY 测试频率
CKPK0608-10uH/K	10 \pm 10%	0.09	2.0	1kHz,0.25V
CKPK0608-15uH/K	15 \pm 10%	0.11	1.8	1kHz,0.25V
CKPK0608-22uH/K	22 \pm 10%	0.13	1.5	1kHz,0.25V
CKPK0608-33uH/K	33 \pm 10%	0.19	1.0	1kHz,0.25V
CKPK0608-47uH/K	47 \pm 10%	0.23	0.9	1kHz,0.25V
CKPK0608-68uH/K	68 \pm 10%	0.37	0.8	1kHz,0.25V
CKPK0608-82uH/K	82 \pm 10%	0.39	0.75	1kHz,0.25V
CKPK0608-100uH/K	100 \pm 10%	0.44	0.7	1kHz,0.25V
CKPK0608-120uH/K	120 \pm 10%	0.64	0.65	1kHz,0.25V
CKPK0608-150uH/K	150 \pm 10%	0.73	0.6	1kHz,0.25V
CKPK0608-180uH/K	180 \pm 10%	0.82	0.55	1kHz,0.25V
CKPK0608-220uH/K	220 \pm 10%	0.92	0.5	1kHz,0.25V
CKPK0608-270uH/K	270 \pm 10%	1.3	0.45	1kHz,0.25V
CKPK0608-330uH/K	330 \pm 10%	1.5	0.4	1kHz,0.25V
CKPK0608-390uH/K	390 \pm 10%	1.8	0.35	1kHz,0.25V
CKPK0608-470uH/K	470 \pm 10%	2.3	0.3	1kHz,0.25V
CKPK0608-560uH/K	560 \pm 10%	3.0	0.28	1kHz,0.25V
CKPK0608-680uH/K	680 \pm 10%	3.25	0.25	1kHz,0.25V
CKPK0608-820uH/K	820 \pm 10%	4.16	0.23	1kHz,0.25V
CKPK0608-1mH/K	1000 \pm 10%	5.0	0.21	1kHz,0.25V
CKPK0608-1.2mH/K	1200 \pm 10%	6.5	0.2	1kHz,0.25V
CKPK0608-1.5mH/K	1500 \pm 10%	8.0	0.17	1kHz,0.25V
CKPK0608-1.8mH/K	1800 \pm 10%	9.0	0.16	1kHz,0.25V
CKPK0608-2.2mH/K	2200 \pm 10%	9.5	0.14	1kHz,0.25V
CKPK0608-2.7mH/K	2700 \pm 10%	10.0	0.12	1kHz,0.25V
CKPK0608-3.3mH/K	3300 \pm 10%	11.0	0.1	1kHz,0.25V
CKPK0608-3.9mH/K	3900 \pm 10%	13.0	0.09	1kHz,0.25V
CKPK0608-4.7mH/K	4700 \pm 10%	17.0	0.08	1kHz,0.25V
CKPK0608-5.6mH/K	5600 \pm 10%	20.0	0.07	1kHz,0.25V
CKPK0608-6.8mH/K	6800 \pm 10%	27.0	0.06	1kHz,0.25V
CKPK0608-8.2mH/K	8200 \pm 10%	32.0	0.055	1kHz,0.25V
CKPK0608-10mH/K	10000 \pm 10%	38.0	0.05	1kHz,0.25V
CKPK0608-12mH/K	12000 \pm 10%	43.0	0.045	1kHz,0.25V
CKPK0608-15mH/K	15000 \pm 10%	65.0	0.04	1kHz,0.25V

**CKPK0707**

PART NUMBER 品名	INDUCTANCE (μ H) 电感值	DCR (Max.) (Ω) 直流电阻	IDC (Max.) (A) 额定电流	TEST FREQUENCY 测试频率
CKPK0707-4.7uH/M	4.7 \pm 20%	0.04	3.0	100kHz,0.25V
CKPK0707-6.8uH/M	6.8 \pm 20%	0.045	2.5	100kHz,0.25V
CKPK0707-10uH/K	10 \pm 10%	0.065	2.4	1kHz,0.25V
CKPK0707-12uH/K	12 \pm 10%	0.075	2.3	1kHz,0.25V
CKPK0707-15uH/K	15 \pm 10%	0.09	2.2	1kHz,0.25V
CKPK0707-18uH/K	18 \pm 10%	0.12	2.0	1kHz,0.25V
CKPK0707-22uH/K	22 \pm 10%	0.13	1.8	1kHz,0.25V
CKPK0707-27uH/K	27 \pm 10%	0.14	1.6	1kHz,0.25V
CKPK0707-33uH/K	33 \pm 10%	0.15	1.5	1kHz,0.25V
CKPK0707-39uH/K	39 \pm 10%	0.20	1.3	1kHz,0.25V
CKPK0707-47uH/K	47 \pm 10%	0.22	1.2	1kHz,0.25V
CKPK0707-56uH/K	56 \pm 10%	0.25	1.1	1kHz,0.25V
CKPK0707-68uH/K	68 \pm 10%	0.32	1.0	1kHz,0.25V
CKPK0707-82uH/K	82 \pm 10%	0.35	0.95	1kHz,0.25V
CKPK0707-100uH/K	100 \pm 10%	0.40	0.9	1kHz,0.25V
CKPK0707-120uH/K	120 \pm 10%	0.55	0.85	1kHz,0.25V
CKPK0707-150uH/K	150 \pm 10%	0.80	0.8	1kHz,0.25V
CKPK0707-180uH/K	180 \pm 10%	0.90	0.7	1kHz,0.25V
CKPK0707-220uH/K	220 \pm 10%	1.0	0.65	1kHz,0.25V
CKPK0707-270uH/K	270 \pm 10%	1.3	0.55	1kHz,0.25V
CKPK0707-330uH/K	330 \pm 10%	1.5	0.5	1kHz,0.25V
CKPK0707-390uH/K	390 \pm 10%	1.6	0.45	1kHz,0.25V
CKPK0707-470uH/K	470 \pm 10%	1.7	0.38	1kHz,0.25V
CKPK0707-560uH/K	560 \pm 10%	1.8	0.35	1kHz,0.25V
CKPK0707-680uH/K	680 \pm 10%	2.5	0.3	1kHz,0.25V
CKPK0707-820uH/K	820 \pm 10%	3.7	0.28	1kHz,0.25V
CKPK0707-1mH/K	1000 \pm 10%	4.0	0.26	1kHz,0.25V
CKPK0707-1.2mH/K	1200 \pm 10%	4.5	0.24	1kHz,0.25V
CKPK0707-1.5mH/K	1500 \pm 10%	5.6	0.22	1kHz,0.25V
CKPK0707-1.8mH/K	1800 \pm 10%	6.5	0.2	1kHz,0.25V
CKPK0707-2.2mH/K	2200 \pm 10%	7.7	0.18	1kHz,0.25V
CKPK0707-2.7mH/K	2700 \pm 10%	9.6	0.16	1kHz,0.25V
CKPK0707-3.3mH/K	3300 \pm 10%	12.0	0.14	1kHz,0.25V
CKPK0707-3.9mH/K	3900 \pm 10%	14.0	0.12	1kHz,0.25V
CKPK0707-4.7mH/K	4700 \pm 10%	20.0	0.11	1kHz,0.25V
CKPK0707-5.6mH/K	5600 \pm 10%	26.0	0.1	1kHz,0.25V
CKPK0707-6.8mH/K	6800 \pm 10%	30.0	0.09	1kHz,0.25V
CKPK0707-8.2mH/K	8200 \pm 10%	32.0	0.08	1kHz,0.25V
CKPK0707-10mH/K	10000 \pm 10%	36.0	0.07	1kHz,0.25V
CKPK0707-12mH/K	12000 \pm 10%	48.0	0.06	1kHz,0.25V
CKPK0707-15mH/K	15000 \pm 10%	56.0	0.05	1kHz,0.25V



CKPK0810

PART NUMBER 品名	INDUCTANCE (μ H) 电感值	DCR (Max.) (Ω) 直流电阻	IDC (Max.) (A) 额定电流	TEST FREQUENCY 测试频率
CKPK0810-3.3uH/M	3.3 \pm 20%	0.03	5.0	100kHz,0.25V
CKPK0810-3.9uH/M	3.9 \pm 20%	0.04	4.5	100kHz,0.25V
CKPK0810-4.7uH/M	4.7 \pm 20%	0.05	4.2	100kHz,0.25V
CKPK0810-5.6uH/M	5.6 \pm 20%	0.055	4.0	100kHz,0.25V
CKPK0810-6.8uH/M	6.8 \pm 20%	0.06	3.6	100kHz,0.25V
CKPK0810-8.2uH/M	8.2 \pm 20%	0.065	3.4	100kHz,0.25V
CKPK0810-10uH/K	10 \pm 10%	0.07	3.2	1kHz,0.25V
CKPK0810-12uH/K	12 \pm 10%	0.08	3.0	1kHz,0.25V
CKPK0810-15uH/K	15 \pm 10%	0.09	2.8	1kHz,0.25V
CKPK0810-18uH/K	18 \pm 10%	0.10	2.6	1kHz,0.25V
CKPK0810-22uH/K	22 \pm 10%	0.12	2.4	1kHz,0.25V
CKPK0810-27uH/K	27 \pm 10%	0.14	2.2	1kHz,0.25V
CKPK0810-33uH/K	33 \pm 10%	0.16	2.0	1kHz,0.25V
CKPK0810-39uH/K	39 \pm 10%	0.16	1.8	1kHz,0.25V
CKPK0810-47uH/K	47 \pm 10%	0.18	1.5	1kHz,0.25V
CKPK0810-56uH/K	56 \pm 10%	0.20	1.4	1kHz,0.25V
CKPK0810-68uH/K	68 \pm 10%	0.23	1.3	1kHz,0.25V
CKPK0810-82uH/K	82 \pm 10%	0.27	1.2	1kHz,0.25V
CKPK0810-100uH/K	100 \pm 10%	0.30	1.1	1kHz,0.25V
CKPK0810-120uH/K	120 \pm 10%	0.35	1.0	1kHz,0.25V
CKPK0810-150uH/K	150 \pm 10%	0.45	0.8	1kHz,0.25V
CKPK0810-180uH/K	180 \pm 10%	0.55	0.6	1kHz,0.25V
CKPK0810-220uH/K	220 \pm 10%	0.60	0.55	1kHz,0.25V
CKPK0810-270uH/K	270 \pm 10%	0.65	0.45	1kHz,0.25V
CKPK0810-330uH/K	330 \pm 10%	0.85	0.42	1kHz,0.25V
CKPK0810-390uH/K	390 \pm 10%	0.95	0.4	1kHz,0.25V
CKPK0810-470uH/K	470 \pm 10%	1.1	0.35	1kHz,0.25V
CKPK0810-560uH/K	560 \pm 10%	1.2	0.3	1kHz,0.25V
CKPK0810-680uH/K	680 \pm 10%	1.5	0.28	1kHz,0.25V
CKPK0810-820uH/K	820 \pm 10%	1.7	0.25	1kHz,0.25V
CKPK0810-1mH/K	1000 \pm 10%	2.0	0.22	1kHz,0.25V
CKPK0810-1.2mH/K	1200 \pm 10%	2.5	0.2	1kHz,0.25V
CKPK0810-1.5mH/K	1500 \pm 10%	2.9	0.18	1kHz,0.25V
CKPK0810-1.8mH/K	1800 \pm 10%	3.5	0.15	1kHz,0.25V
CKPK0810-2.2mH/K	2200 \pm 10%	4.2	0.14	1kHz,0.25V
CKPK0810-2.7mH/K	2700 \pm 10%	5.1	0.13	1kHz,0.25V
CKPK0810-3.3mH/K	3300 \pm 10%	6.1	0.12	1kHz,0.25V
CKPK0810-3.9mH/K	3900 \pm 10%	7.8	0.11	1kHz,0.25V
CKPK0810-4.7mH/K	4700 \pm 10%	8.0	0.10	1kHz,0.25V
CKPK0810-5.6mH/K	5600 \pm 10%	10.0	0.095	1kHz,0.25V
CKPK0810-6.8mH/K	6800 \pm 10%	14.0	0.09	1kHz,0.25V
CKPK0810-8.2mH/K	8200 \pm 10%	15.0	0.085	1kHz,0.25V
CKPK0810-10mH/K	10000 \pm 10%	20.0	0.08	1kHz,0.25V
CKPK0810-12mH/K	12000 \pm 10%	22.0	0.07	1kHz,0.25V
CKPK0810-15mH/K	15000 \pm 10%	24.0	0.06	1kHz,0.25V



CKPK0912

PART NUMBER 品名	INDUCTANCE (μ H) 电感值	DCR (Max.) (Ω) 直流电阻	IDC (Max.) (A) 额定电流	TEST FREQUENCY 测试频率
CKPK0912-10uH/K	10 \pm 10%	0.04	4.00	1kHz,0.25V
CKPK0912-12uH/K	12 \pm 10%	0.045	3.80	1kHz,0.25V
CKPK0912-15uH/K	15 \pm 10%	0.05	3.50	1kHz,0.25V
CKPK0912-18uH/K	18 \pm 10%	0.06	3.20	1kHz,0.25V
CKPK0912-22uH/K	22 \pm 10%	0.07	3.00	1kHz,0.25V
CKPK0912-27uH/K	27 \pm 10%	0.10	2.80	1kHz,0.25V
CKPK0912-33uH/K	33 \pm 10%	0.12	2.50	1kHz,0.25V
CKPK0912-39uH/K	39 \pm 10%	0.12	2.00	1kHz,0.25V
CKPK0912-47uH/K	47 \pm 10%	0.13	1.90	1kHz,0.25V
CKPK0912-56uH/K	56 \pm 10%	0.14	1.80	1kHz,0.25V
CKPK0912-68uH/K	68 \pm 10%	0.15	1.70	1kHz,0.25V
CKPK0912-82uH/K	82 \pm 10%	0.16	1.60	1kHz,0.25V
CKPK0912-100uH/K	100 \pm 10%	0.25	1.50	1kHz,0.25V
CKPK0912-120uH/K	120 \pm 10%	0.28	1.20	1kHz,0.25V
CKPK0912-150uH/K	150 \pm 10%	0.30	1.00	1kHz,0.25V
CKPK0912-180uH/K	180 \pm 10%	0.45	0.70	1kHz,0.25V
CKPK0912-220uH/K	220 \pm 10%	0.50	0.60	1kHz,0.25V
CKPK0912-270uH/K	270 \pm 10%	0.65	0.50	1kHz,0.25V
CKPK0912-330uH/K	330 \pm 10%	0.85	0.45	1kHz,0.25V
CKPK0912-390uH/K	390 \pm 10%	0.95	0.40	1kHz,0.25V
CKPK0912-470uH/K	470 \pm 10%	1.1	0.35	1kHz,0.25V
CKPK0912-560uH/K	560 \pm 10%	1.2	0.30	1kHz,0.25V
CKPK0912-680uH/K	680 \pm 10%	1.3	0.25	1kHz,0.25V
CKPK0912-820uH/K	820 \pm 10%	1.5	0.20	1kHz,0.25V
CKPK0912-1mH/K	1000 \pm 10%	2.0	0.20	1kHz,0.25V
CKPK0912-1.2mH/K	1200 \pm 10%	2.3	0.18	1kHz,0.25V
CKPK0912-1.5mH/K	1500 \pm 10%	2.9	0.17	1kHz,0.25V
CKPK0912-1.8mH/K	1800 \pm 10%	3.3	0.16	1kHz,0.25V
CKPK0912-2.2mH/K	2200 \pm 10%	4.5	0.15	1kHz,0.25V
CKPK0912-2.7mH/K	2700 \pm 10%	5.5	0.14	1kHz,0.25V
CKPK0912-3.3mH/K	3300 \pm 10%	5.7	0.13	1kHz,0.25V
CKPK0912-3.9mH/K	3900 \pm 10%	6.5	0.12	1kHz,0.25V
CKPK0912-4.7mH/K	4700 \pm 10%	7.2	0.12	1kHz,0.25V
CKPK0912-5.6mH/K	5600 \pm 10%	9.5	0.11	1kHz,0.25V
CKPK0912-6.8mH/K	6800 \pm 10%	12	0.10	1kHz,0.25V
CKPK0912-8.2mH/K	8200 \pm 10%	14	0.10	1kHz,0.25V



CKPK0912

PART NUMBER 品名	INDUCTANCE (μ H) 电感值	DCR (Max.) (Ω) 直流电阻	IDC (Max.) (A) 额定电流	TEST FREQUENCY 测试频率
CKPK0912-10mH/K	10000 \pm 10%	16	0.09	1kHz,0.25V
CKPK0912-12mH/K	12000 \pm 10%	18	0.09	1kHz,0.25V
CKPK0912-15mH/K	15000 \pm 10%	21	0.08	1kHz,0.25V
CKPK0912-18mH/K	18000 \pm 10%	25	0.08	1kHz,0.25V
CKPK0912-22mH/K	22000 \pm 10%	33	0.07	1kHz,0.25V
CKPK0912-27mH/K	27000 \pm 10%	40	0.05	1kHz,0.25V
CKPK0912-33mH/K	33000 \pm 10%	45	0.04	1kHz,0.25V



CKPK1012

PART NUMBER 品名	INDUCTANCE (μ H) 电感值	DCR (Max.) (Ω) 直流电阻	IDC (Max.) (A) 额定电流	TEST FREQUENCY 测试频率
CKPK1012-3.3uH/M	3.3 \pm 20%	0.025	5.5	100kHz,0.25V
CKPK1012-3.9uH/M	3.9 \pm 20%	0.03	5.0	100kHz,0.25V
CKPK1012-4.7uH/M	4.7 \pm 20%	0.035	5.0	100kHz,0.25V
CKPK1012-5.6uH/M	5.6 \pm 20%	0.04	4.8	100kHz,0.25V
CKPK1012-6.8uH/M	6.8 \pm 20%	0.045	4.8	100kHz,0.25V
CKPK1012-8.2uH/M	8.2 \pm 20%	0.05	4.5	100kHz,0.25V
CKPK1012-10uH/K	10 \pm 10%	0.055	4.2	1kHz,0.25V
CKPK1012-12uH/K	12 \pm 10%	0.06	4.0	1kHz,0.25V
CKPK1012-15uH/K	15 \pm 10%	0.065	3.8	1kHz,0.25V
CKPK1012-18uH/K	18 \pm 10%	0.07	3.8	1kHz,0.25V
CKPK1012-22uH/K	22 \pm 10%	0.08	3.5	1kHz,0.25V
CKPK1012-27uH/K	27 \pm 10%	0.09	3.2	1kHz,0.25V
CKPK1012-33uH/K	33 \pm 10%	0.10	3.0	1kHz,0.25V
CKPK1012-39uH/K	39 \pm 10%	0.12	2.5	1kHz,0.25V
CKPK1012-47uH/K	47 \pm 10%	0.13	2.0	1kHz,0.25V
CKPK1012-56uH/K	56 \pm 10%	0.14	1.8	1kHz,0.25V
CKPK1012-68uH/K	68 \pm 10%	0.15	1.7	1kHz,0.25V
CKPK1012-82uH/K	82 \pm 10%	0.16	1.6	1kHz,0.25V
CKPK1012-100uH/K	100 \pm 10%	0.18	1.5	1kHz,0.25V
CKPK1012-120uH/K	120 \pm 10%	0.20	1.4	1kHz,0.25V
CKPK1012-150uH/K	150 \pm 10%	0.25	1.2	1kHz,0.25V
CKPK1012-180uH/K	180 \pm 10%	0.28	1.0	1kHz,0.25V
CKPK1012-220uH/K	220 \pm 10%	0.30	0.9	1kHz,0.25V
CKPK1012-270uH/K	270 \pm 10%	0.42	0.8	1kHz,0.25V
CKPK1012-330uH/K	330 \pm 10%	0.55	0.7	1kHz,0.25V
CKPK1012-390uH/K	390 \pm 10%	0.60	0.6	1kHz,0.25V
CKPK1012-470uH/K	470 \pm 10%	0.65	0.55	1kHz,0.25V
CKPK1012-560uH/K	560 \pm 10%	0.75	0.5	1kHz,0.25V
CKPK1012-680uH/K	680 \pm 10%	0.85	0.5	1kHz,0.25V
CKPK1012-820uH/K	820 \pm 10%	1.10	0.4	1kHz,0.25V
CKPK1012-1mH/K	1000 \pm 10%	1.40	0.3	1kHz,0.25V



CKPK1016

PART NUMBER 品名	INDUCTANCE (μ H) 电感值	DCR (Max.) (Ω) 直流电阻	IDC (Max.) (A) 额定电流	TEST FREQUENCY 测试频率
CKPK1016-4.7uH/M	4.7 \pm 20%	0.02	5.8	100kHz,0.25V
CKPK1016-5.6uH/M	5.6 \pm 20%	0.025	5.5	100kHz,0.25V
CKPK1016-6.8uH/M	6.8 \pm 20%	0.025	5.4	100kHz,0.25V
CKPK1016-8.2uH/M	8.2 \pm 20%	0.028	5.2	100kHz,0.25V
CKPK1016-10uH/K	10 \pm 10%	0.035	5.0	1kHz,0.25V
CKPK1016-12uH/K	12 \pm 10%	0.038	4.5	1kHz,0.25V
CKPK1016-15uH/K	15 \pm 10%	0.04	4.0	1kHz,0.25V
CKPK1016-18uH/K	18 \pm 10%	0.06	3.9	1kHz,0.25V
CKPK1016-22uH/K	22 \pm 10%	0.08	3.8	1kHz,0.25V
CKPK1016-27uH/K	27 \pm 10%	0.10	3.5	1kHz,0.25V
CKPK1016-33uH/K	33 \pm 10%	0.11	3.3	1kHz,0.25V
CKPK1016-39uH/K	39 \pm 10%	0.12	3.2	1kHz,0.25V
CKPK1016-47uH/K	47 \pm 10%	0.13	3.0	1kHz,0.25V
CKPK1016-56uH/K	56 \pm 10%	0.135	2.8	1kHz,0.25V
CKPK1016-68uH/K	68 \pm 10%	0.14	2.5	1kHz,0.25V
CKPK1016-82uH/K	82 \pm 10%	0.15	2.2	1kHz,0.25V
CKPK1016-100uH/K	100 \pm 10%	0.18	2.0	1kHz,0.25V
CKPK1016-120uH/K	120 \pm 10%	0.20	1.8	1kHz,0.25V
CKPK1016-150uH/K	150 \pm 10%	0.22	1.6	1kHz,0.25V
CKPK1016-180uH/K	180 \pm 10%	0.25	1.5	1kHz,0.25V
CKPK1016-220uH/K	220 \pm 10%	0.30	1.45	1kHz,0.25V
CKPK1016-270uH/K	270 \pm 10%	0.35	1.4	1kHz,0.25V
CKPK1016-330uH/K	330 \pm 10%	0.60	1.3	1kHz,0.25V
CKPK1016-390uH/K	390 \pm 10%	0.70	1.2	1kHz,0.25V
CKPK1016-470uH/K	470 \pm 10%	0.80	1.1	1kHz,0.25V
CKPK1016-560uH/K	560 \pm 10%	0.90	1.0	1kHz,0.25V
CKPK1016-680uH/K	680 \pm 10%	1.00	0.9	1kHz,0.25V
CKPK1016-820uH/K	820 \pm 10%	1.20	0.8	1kHz,0.25V
CKPK1016-1mH/K	1000 \pm 10%	1.50	0.7	1kHz,0.25V



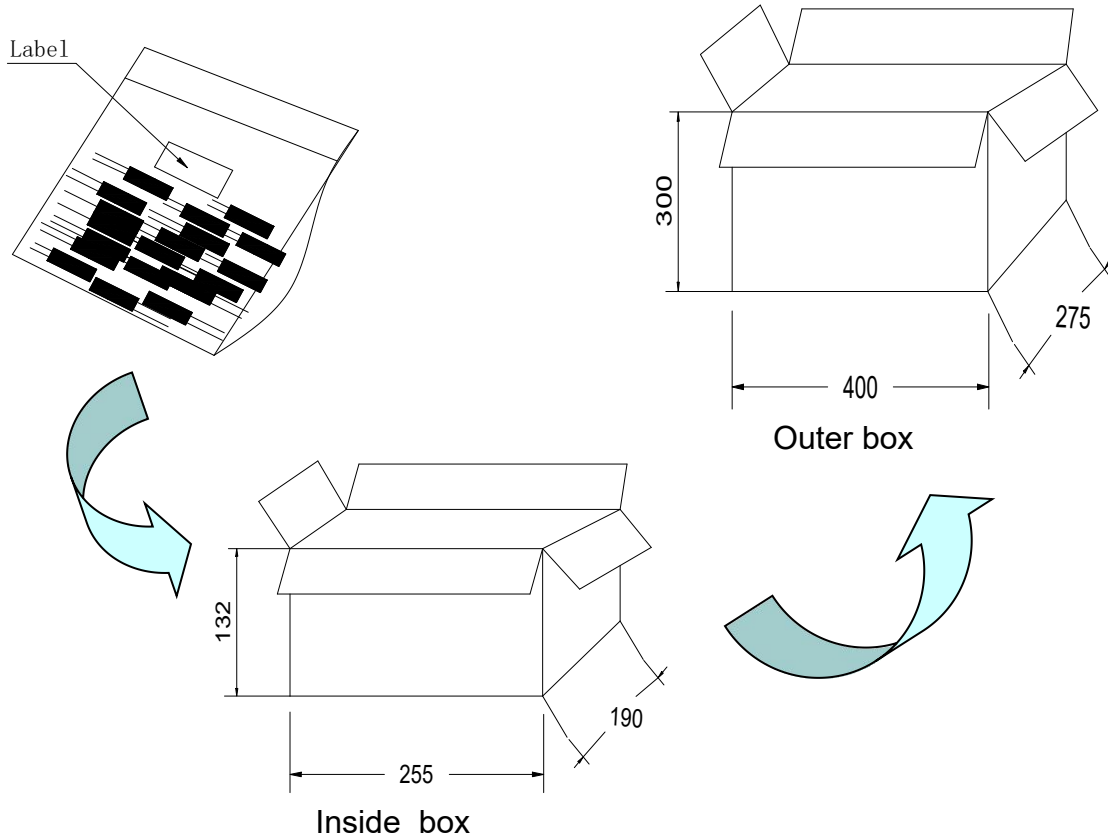
CKPK1216

PART NUMBER 品名	INDUCTANCE (μ H) 电感值	DCR (Max.) (Ω) 直流电阻	IDC (Max.) (A) 额定电流	TEST FREQUENCY 测试频率
CKPK1216-33uH/K	33 \pm 10%	0.08	5.0	1kHz,0.25V
CKPK1216-39uH/K	39 \pm 10%	0.10	4.5	1kHz,0.25V
CKPK1216-47uH/K	47 \pm 10%	0.11	4.2	1kHz,0.25V
CKPK1216-56uH/K	56 \pm 10%	0.12	4.0	1kHz,0.25V
CKPK1216-68uH/K	68 \pm 10%	0.13	3.5	1kHz,0.25V
CKPK1216-82uH/K	82 \pm 10%	0.14	3.3	1kHz,0.25V
CKPK1216-100uH/K	100 \pm 10%	0.15	3.2	1kHz,0.25V
CKPK1216-120uH/K	120 \pm 10%	0.16	3.0	1kHz,0.25V
CKPK1216-150uH/K	150 \pm 10%	0.17	2.7	1kHz,0.25V
CKPK1216-180uH/K	180 \pm 10%	0.18	2.5	1kHz,0.25V
CKPK1216-220uH/K	220 \pm 10%	0.20	2.3	1kHz,0.25V
CKPK1216-270uH/K	270 \pm 10%	0.30	2.0	1kHz,0.25V
CKPK1216-330uH/K	330 \pm 10%	0.40	1.9	1kHz,0.25V
CKPK1216-390uH/K	390 \pm 10%	0.50	1.8	1kHz,0.25V
CKPK1216-470uH/K	470 \pm 10%	0.60	1.7	1kHz,0.25V
CKPK1216-560uH/K	560 \pm 10%	0.70	1.6	1kHz,0.25V
CKPK1216-680uH/K	680 \pm 10%	0.80	1.5	1kHz,0.25V
CKPK1216-820uH/K	820 \pm 10%	0.90	1.4	1kHz,0.25V
CKPK1216-1mH/K	1000 \pm 10%	1.00	1.3	1kHz,0.25V
CKPK1216-1.5mH/K	1500 \pm 10%	1.50	1.0	1kHz,0.25V
CKPK1216-1.8mH/K	1800 \pm 10%	2.00	0.8	1kHz,0.25V
CKPK1216-2.2mH/K	2200 \pm 10%	3.00	0.7	1kHz,0.25V
CKPK1216-2.7mH/K	2700 \pm 10%	4.50	0.6	1kHz,0.25V
CKPK1216-3.3mH/K	3300 \pm 10%	6.00	0.5	1kHz,0.25V



● Packaging 包装方式

1. Bulk 散装/ Dimension of Bag: 160mm*170mm



Type(型号)	Quantity(Pcs)数量 (个)			Remark
	Bag	Inside box	Outer box	
CKPK0406	1,000 Pcs	10,000 Pcs	40,000 Pcs	
CKPK0507	500 Pcs	5,000 Pcs	20,000 Pcs	
CKPK0608	500 Pcs	4,000 Pcs	16,000 Pcs	
CKPK0707	200 Pcs	2,000 Pcs	8,000 Pcs	
CKPK0810	200 Pcs	2,000 Pcs	8,000 Pcs	
CKPK0912	200 Pcs	2,000 Pcs	4,000 Pcs	※
CKPK1012	100 Pcs	1,200 Pcs	4,800 Pcs	
CKPK1016	100 Pcs	1,000 Pcs	4,000 Pcs	
CKPK1216	100 Pcs	1,000 Pcs	2,000 Pcs	※

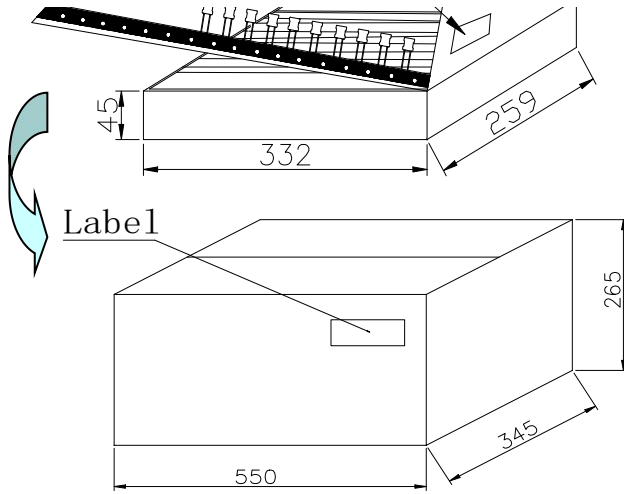
※ Outer box/外箱: 465*280*193mm

NOTE: Standard feet long 15mm /标准脚长15mm

2. Taping Pack 编带包装



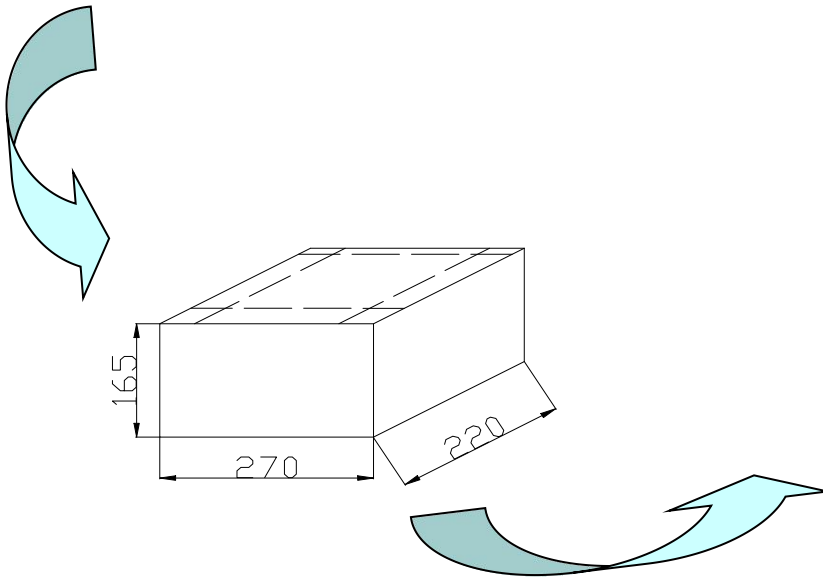
Type(型号)	Quantity(Pcs)数量 (个)
----------	---------------------



Type(型号)	Box	Carton
CKPK0406	2,000	20,000
CKPK0608	1,500	15,000
CKPK0810	800	8,000

NOTE: Conventional feet long 18-20mm Ref/常规脚长18-20MM 参考

3.Special occasions Blister packaging/特殊场合吸塑盒包装



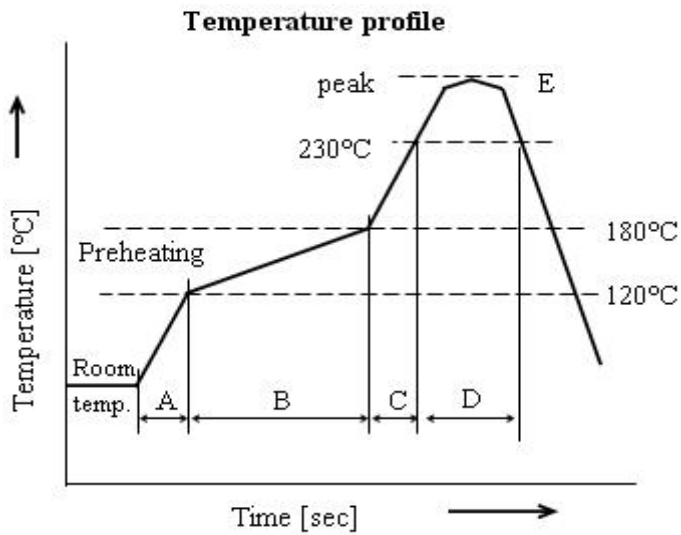
NOTE: 1. Number of the actual shall prevail/包装数量和吸塑盘规格以实际为准,吸塑盘图示仅参考;
2. The box contained two boxes outside/2个内箱/外箱.



● Soldering 焊接

1. Reflow Soldering 回流焊

Remark: Radial type choke inductor fixed inductor is not suitable for reflow soldering. 注意: 工字电感不适用于回流焊焊接。



A	Temp. rise gradient	1~5 °C/sec
B	Heating time	50~150 sec
	Heating temperature	120~180 °C
C	Temp. rise gradient	1~5 °C/sec
D	Time over 230°C	70 sec
E	Peak temperature	260 °C
	Peak-temp. hold time	Momentary
Soldering		2 times

2. Flow(Wave) Soldering 波峰焊

Peak temperature	≤260°C
Dipping time	5 sec
Soldering	2 times

SMD: Dipping the entire component

Component for Insertion :Dipping to the lead joint of componer

3. Hand Soldering/Touchup 手工焊/修补

Soldering iron tip temperature	≤350°C
Soldering time	≤3 sec
Soldering	2 times