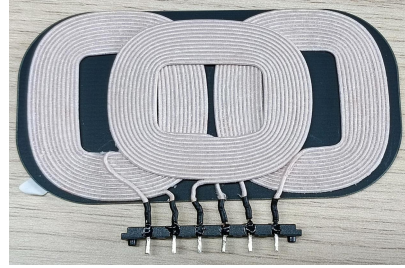




Wireless Power Charging Coil CKWR Series 无线充线圈 CKWR 系列

● FEATURES 特性

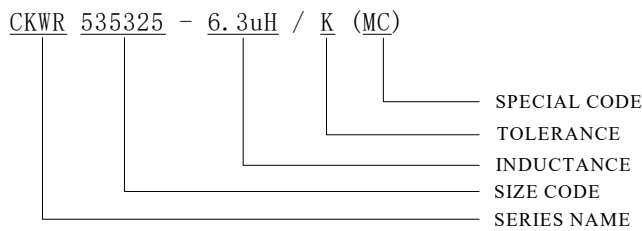
1. 尺寸, 形状, 性能以定制化为主;
Size, shape, characteristics customized ;
2. 薄型化设计, 自动化生产
Low profile, Automated production
3. 符合Qi标准, 符合AEC-Q200认证
Comply with Qi standard, meet AEC-Q200 certification.



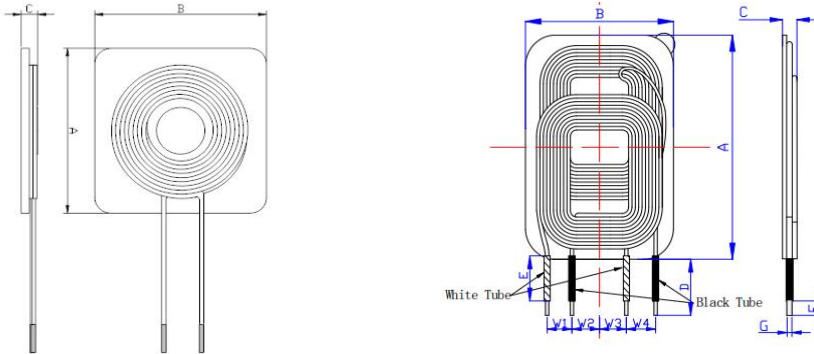
● APPLICATIONS 用途

适用于便携式电子设备, 如移动电话、DSCs等
Use for portable electronics device such as mobile phones and DSCs, etc

● PART NUMBERING SYSTEM 品名系统



● SHAPES AND DIMENSIONS 外形尺寸 (Unit:mm)



Type	Applications	A	B	C(Max)	D
ACKWR765510-12.5uH/11.25uH/K	Tx(2 Coil)	76	55	4.2	/
ACKWR1005510-12.5/11.5uH/K	Tx(3 Coil)	100	55	4.5	/
ACKWR535325-6.3uH/K	Tx	53	53	5.5	/
ACKWR535325-24uH/K	Tx	53	53	5.5	/
ACKWR535315-10uH/K	Tx	53	53	5	/
ACKWR535315-8.9uH/K	Tx	53	53	5	/
ACKWR1065325-12.5uH/K	Tx(3 Coil)	130	54.7	8	/
ACKWR1005510-8.5uH/K	Tx(3 Coil)	100	55	4.5	/
ACKWR945208-11.5uH/K	Tx(3 Coil)	108	52	5	/

Remark 备注:

(1) Operating Temperature Ranges: -25~105°C.

工作温度范围: -25~105°C.

(2) Isat: DC current at which the inductance drops approximate 10% from its value without current;

Isat: 在该直流电流下, 电感从其无电流值下降约10%;

(3) Irms: DC current that causes the temperature rise ($\Delta T=40^{\circ}\text{C}$) from 25°C ambient.